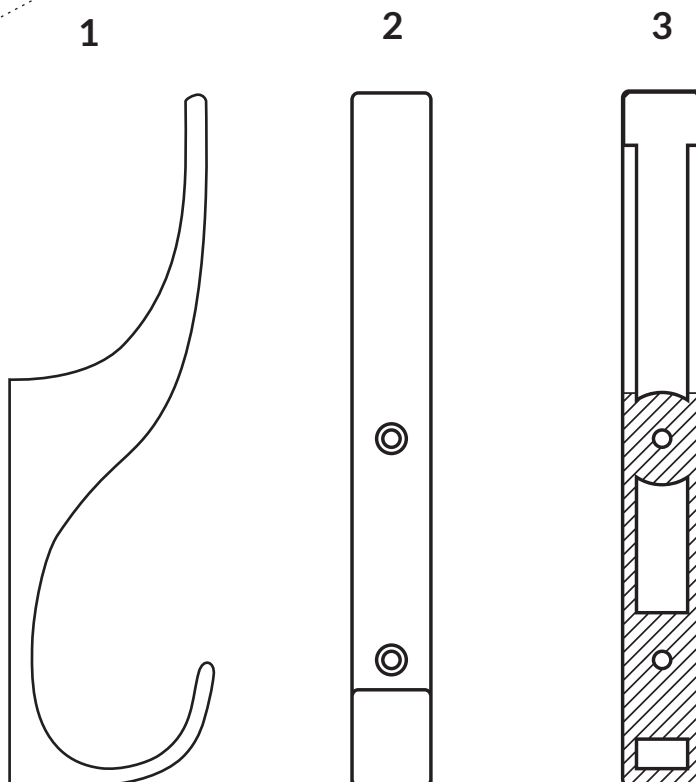
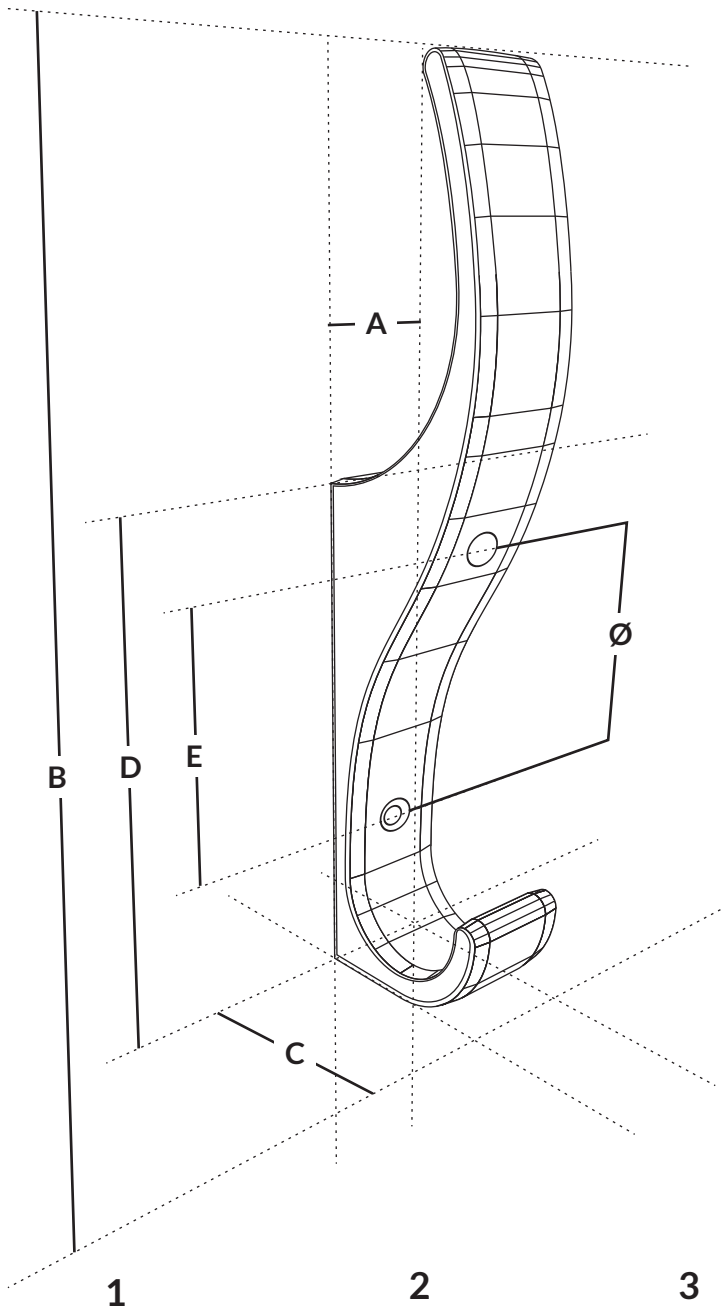


Technical Data Toughhook Max

Safer.
Stronger.
Guaranteed for
life.



DATA SHEET

| | | |
|----------|-------|--------------------|
| A | | 19 mm |
| B | | 136 mm |
| C | | 35 mm |
| D | | 80 mm |
| E | | 37 mm |
| Ø | | 4.0 mm |
| | | (Countersink 6 mm) |

| | | |
|----------|-------|-------|
| 1 | | Side |
| 2 | | Front |
| 3 | | Back |